



PREMIUM SHELTERS

WHERE  
WILL  
YOU  
GO?

Durability is key in ensuring long-term safety, which is why Life Pod™ storm shelters are built using the same high-quality materials and design concepts used by the boating industry. Our premium storm shelters are among the safest, most durable shelters in the industry.

## Safety

- Buried underground
- Safety whistle provided
- Three point latching system
- Hinge bolts removable from outside with 7/16" wrench
- Through-bolted cap using stainless steel bolts, brass nuts and gasketed washers
- Impact testing done as a unit (not just the door) - approved by third party and American Tornado Shelter Association
- Aggressive, non-slip step treads

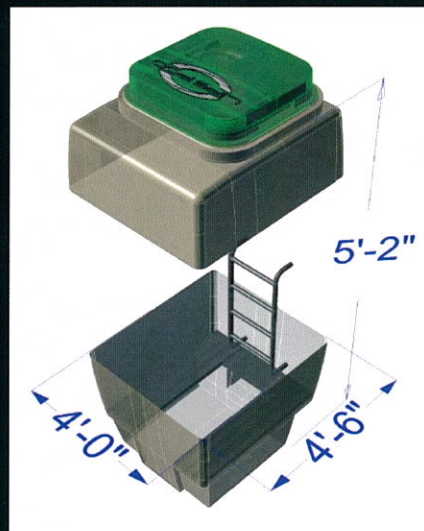
## Quality

- Marine grade resin, gel coat and hardware
- LED lighting
- Motion sensor LED light
- All exposed fiberglass is smooth and finished
- All composite materials / no wood
- Custom stainless steel brackets
- Molded-in non-skid on floor - easy to maintain
- Custom aluminum railings, steps and bench seating
- Increased headroom
- Clean, crisp inside

## Durability

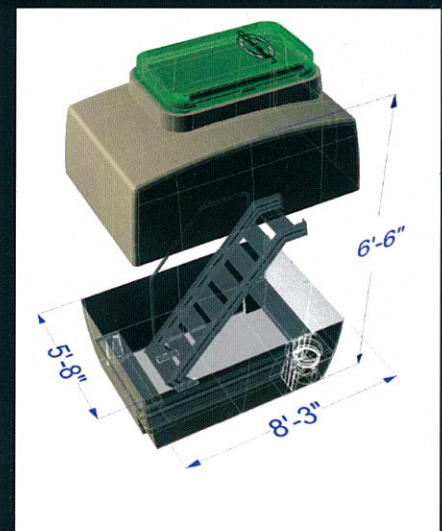
- No wood; no rot
- Aluminum and stainless steel hardware
- Brass nuts
- 316 stainless steel grab rail
- Stainless steel hinges
- High density, closed cell foam stringer system
- Engineered polyester bonding putty
- Highly engineered laminate schedule
- Methyl Methacrylate used for bonding and sealing – triple bead of adhesive on main flange

## FP-4



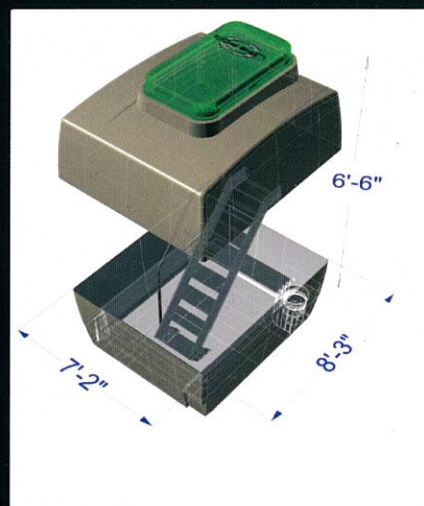
Seating	4 persons
Max Capacity for Ventilation	4 persons
Sq Ft (Floor)	10.37
Interior	48"L x 54"W x 65"H
Exterior	54"L x 60"W x 78"H
Approx Weight	523 lbs

## FP-10



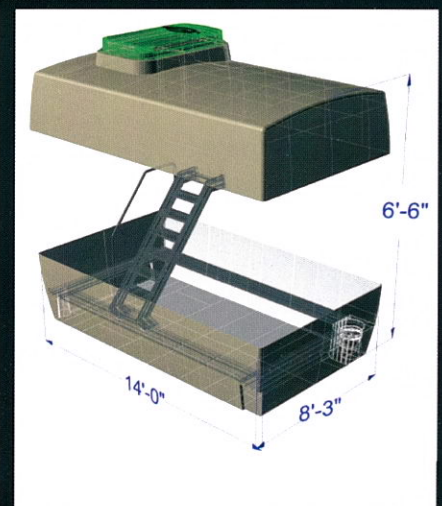
Seating	10 persons
Max Capacity for Ventilation	11 persons
Sq Ft (Floor)	35.32
Interior	68"L x 99"W x 84"H
Exterior	74"L x 105"W x 95"H
Approx Weight	1,350 lbs

## FP-14



Seating	14+ persons
Max Capacity for Ventilation	22 persons
Sq Ft (Floor)	45.5
Interior	86"L x 99"W x 84"H
Exterior	92"L x 105"W x 95"H
Approx Weight	1,550 lbs

## FP-30



Seating	30+ persons
Max Capacity for Ventilation	44 persons
Sq Ft (Floor)	95.16
Interior	168"L x 99"W x 84"H
Exterior	174"L x 105"W x 95"H
Approx Weight	3,200 lbs

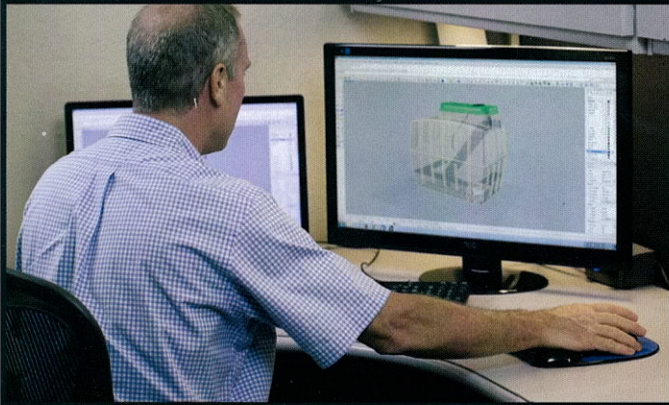
**SAFETY.**  
**IT MATTERS.**

**QUALITY.**  
**WE BUILD IT.**

**DURABILITY.**  
**IT LASTS.**



*Over 30 years  
experience in fiberglass  
and metal fabrication.*



*"Our goal is to design, engineer, and build the safest,  
high-quality storm shelter with the lowest  
maintenance, period."*

*-Stephen Dougherty, CEO*



*Award winning innovative designs.*



PREMIUM SHELTERS



1601 Tionia Road  
New Smyrna Beach, FL 32168



[info@lifepodshelters.com](mailto:info@lifepodshelters.com)



[www.lifepodshelters.com](http://www.lifepodshelters.com)



386-957-5464 - phone  
386-957-5465 - fax



[facebook.com/lifepodshelters](https://facebook.com/lifepodshelters)