

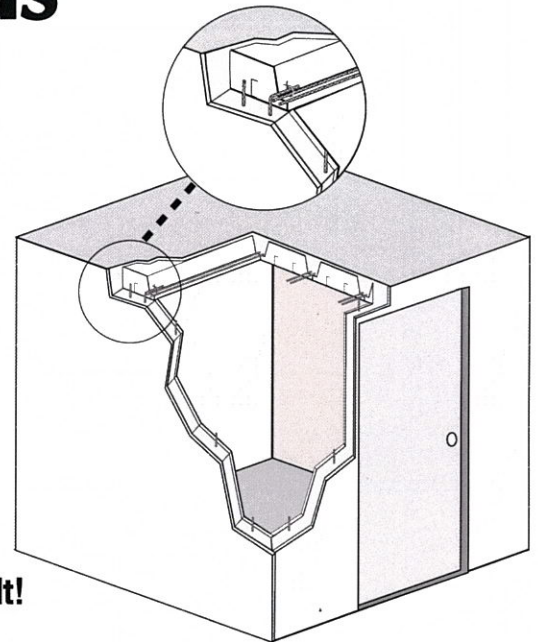
SOLID CONCRETE

SAFE ROOM

**AFFORDABLE
Protection for
Your School,
Business, or Home**

Withstands Devastating Tornado and Hurricane Force Winds

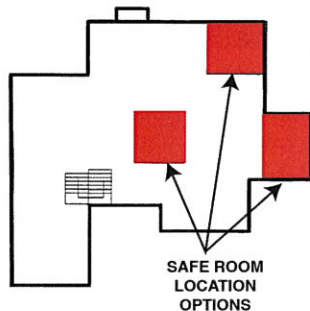
- Reinforced Concrete Walls
- Reinforced Concrete Roof
- Versatile Designs
- Superior Energy Efficiency
- FEMA Approved!



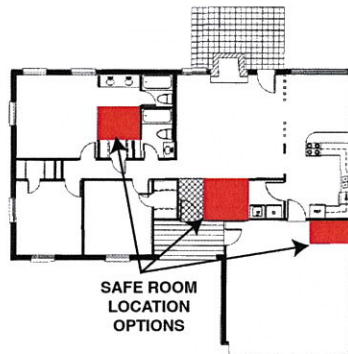
3838-8a

**High-speed winds and
deadly flying debris...
Solid Concrete Stops
them better than any
other building system.
University Tests Prove It!**

**Design it into your
Basement**

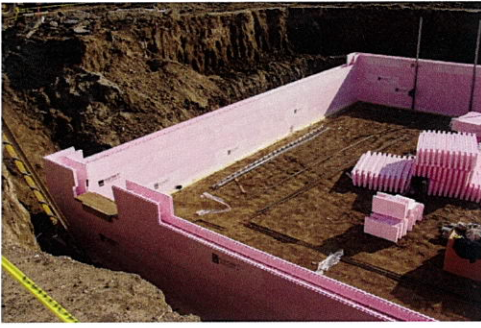


**Design it into your
Floor Plan**



**Build it to be
Free-Standing**



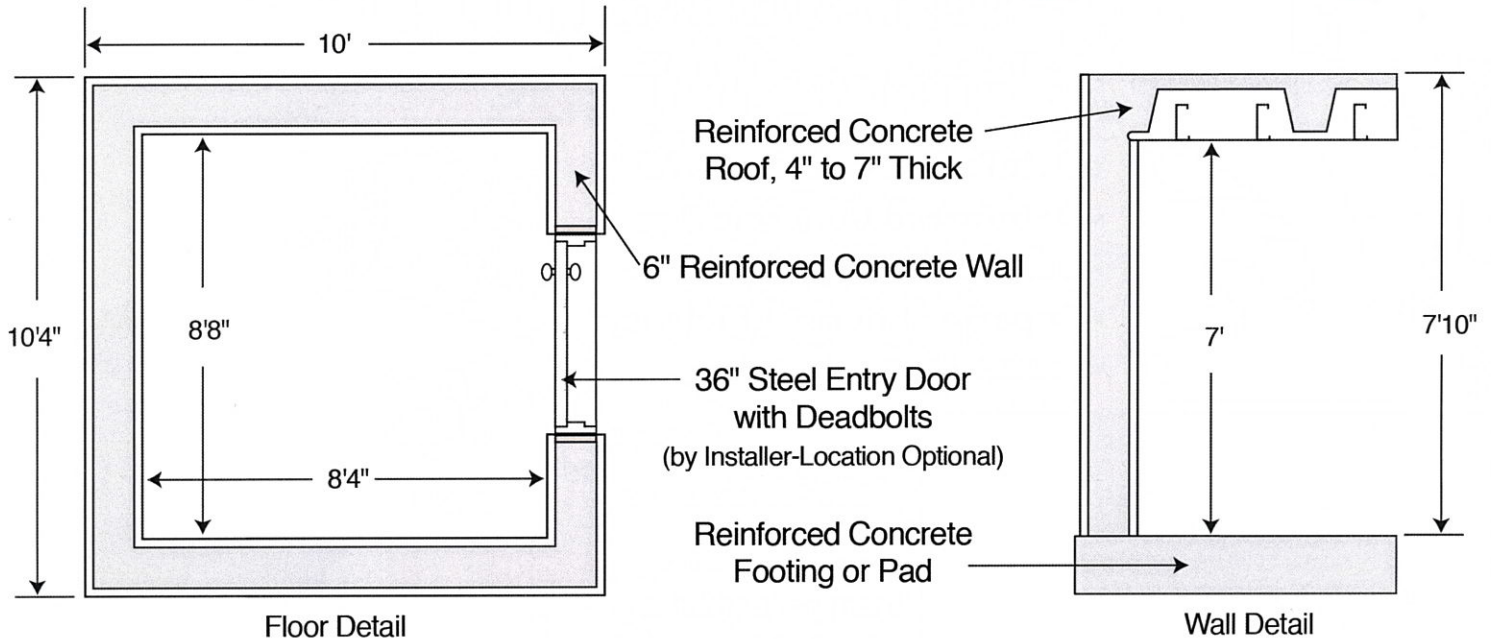


LiteForm wall forms go up quickly! The block sections and pre-trimmed corners are set up as easy as children's building blocks. Your concrete footing or pad is permanently anchored to the Safe Room walls. You add reinforcing steel as the form walls go up.

Unique LiteDeck Concrete Roof! Roof panels interlock to produce 7-inch concrete beams. Your reinforcing steel is added to tie the walls and roof together. A complete "envelope" of safety.

Over 30,000 lbs of concrete is placed in minutes! The forms are filled with conventional concrete and your Safe Room is ready to add your steel access door. Concrete roof can be waterproofed or a conventional roof can be added to match building styles.

Provides Protection From Winds as High as 250 mph



*Details Not to Scale - Reinforcing Steel and Ventilation Equipment Not Shown

High-efficiency Safe Room can be used all year long! R-21 walls and R-30 ceiling. Use common plumbing, electrical and ventilation equipment to finish your Safe Room.

OPTIONS: Custom Sizes and Shapes - Custom-Assembled Safe Room Kit (not available in all regions)

Local, state, or federal building and engineering codes or guidelines must be followed for the proper pad/footing specifications, anchoring, concrete wall and roof thicknesses and placement of rebar in LiteForm Safe Rooms. LiteForm LLC, its suppliers or representatives are not directly or indirectly responsible for proper compliance with suv codes or engineering requirements during the construction process. LiteForm LC, its suppliers or representatives make no direct claims as to strength, durability and/or performance minimums of the monolithic concrete walls in a LiteForm Safe Room.



ICF DIRECT SERVICE CENTER

5814 Tradewind St.,

Amarillo, TX 79118

Phone (806) 356-7203

Robinking0302@gmail.com

LiteForm
TECHNOLOGIES